

NOTES:

1. Delineation of contaminated areas as shown is approximate. Actual limits will be determined in the field.
2. For soil analytical testing results, refer to the report entitled "Soil Remedial Action Plan - Veterans Field, Cedar Grove Ave., New London, CT" dated January 2004, prepared by HRP Associates, Inc. The plan is on file at Skanska Building USA, 50 Smith Street, New London, CT. (860-437-1704)
3. Refer to the specifications and Summary of Work for site environmental requirements. Environmental technical specifications include but are not limited to the following sections:
 - 01105 General Environmental Compliance
 - 01110 Environmental Health and Safety
 - 02050 Demolition and Handling of Demolition Debris
 - 02200 Excavation, Handling, and Stockpiling of Controlled Materials
 - 02201 Excavation and Backfill of Test Pits and Test Trenches
 - 02210 Disposal of Controlled Materials
 - 02215 Protection of Structures and Utilities
 - 02220 Imported Backfill
 - 02260 Excavation, Handling and Disposal of "Hot Spot" Soil
 - 02270 Soil Erosion and Sedimentation Controls
 - 02280 Fabric Warning Layer

DATE: 1/15/04
 DRAWN BY: BOB
 SCALE: 1" = 30'
 REVIEWED BY: MRRK
 PROJECT NO.: FRH400P2

NO.	DATE	DESCRIPTION

**DELINEATION OF CONTAMINATED
 FILL AREAS AND DETAILS**

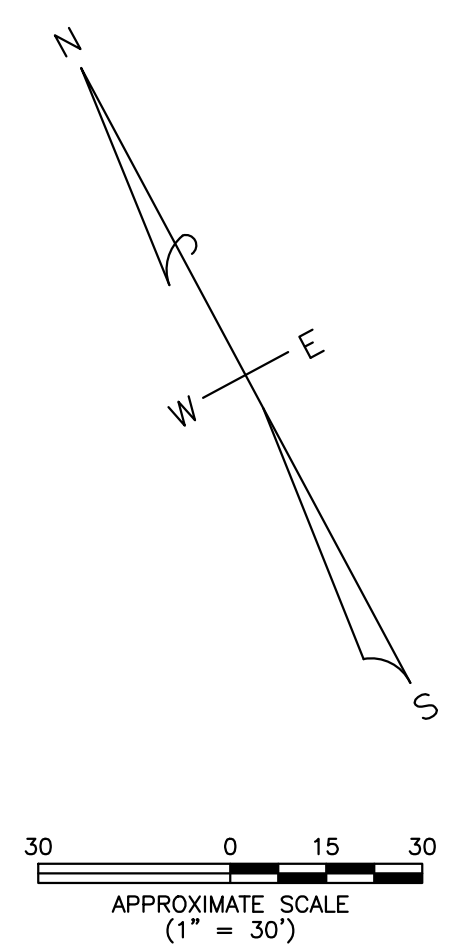
STATE PROJECT NO. 095-0079N
 PHASE 2 OF 4
**C.B. JENNINGS
 ELEMENTARY SCHOOL**
 PORTABLE CLASSROOMS
 VETERANS FIELD
 NEW LONDON, CONNECTICUT 06320

HRP Associates, Inc.
 Environmental Engineering & Hydrogeology
 281 Farmington Avenue
 Farmington, Connecticut 06032
 Ph: (860) 792-8899 Fax: (860) 792-8871
 www.hrpassociates.com

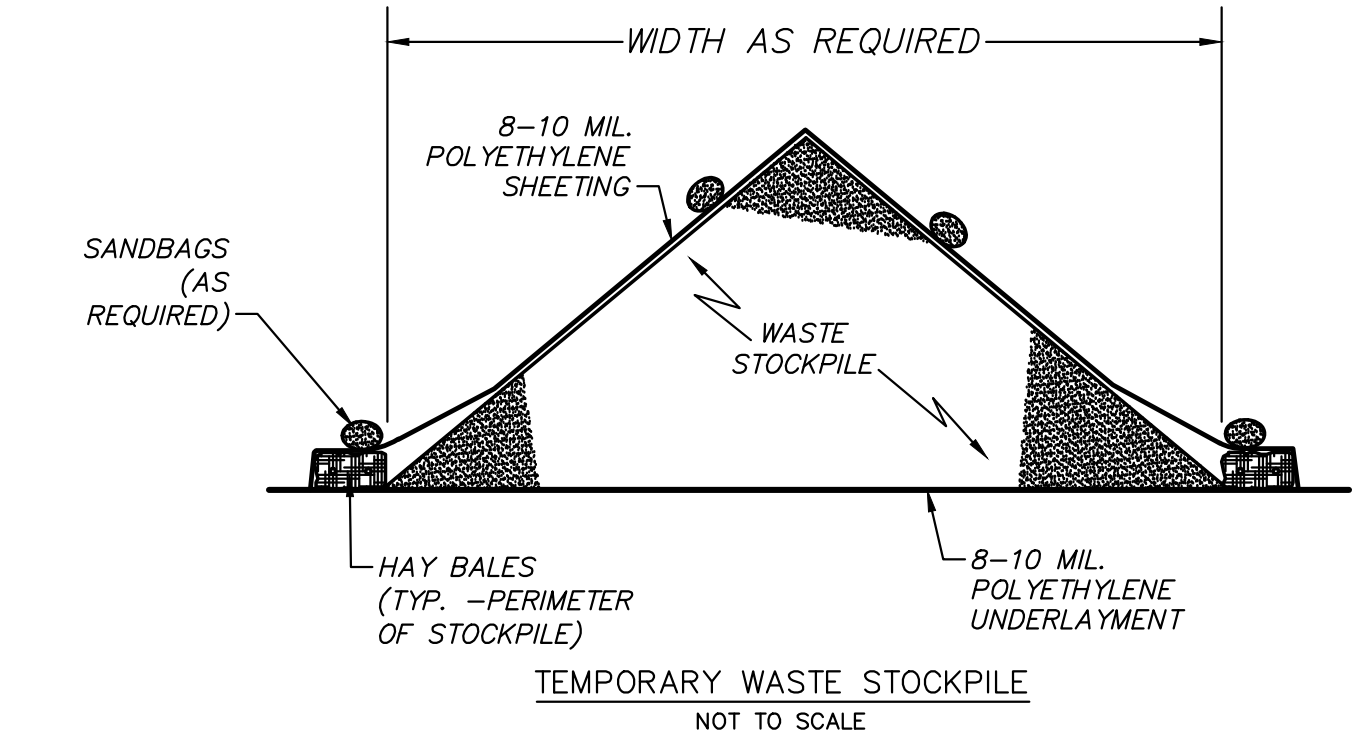
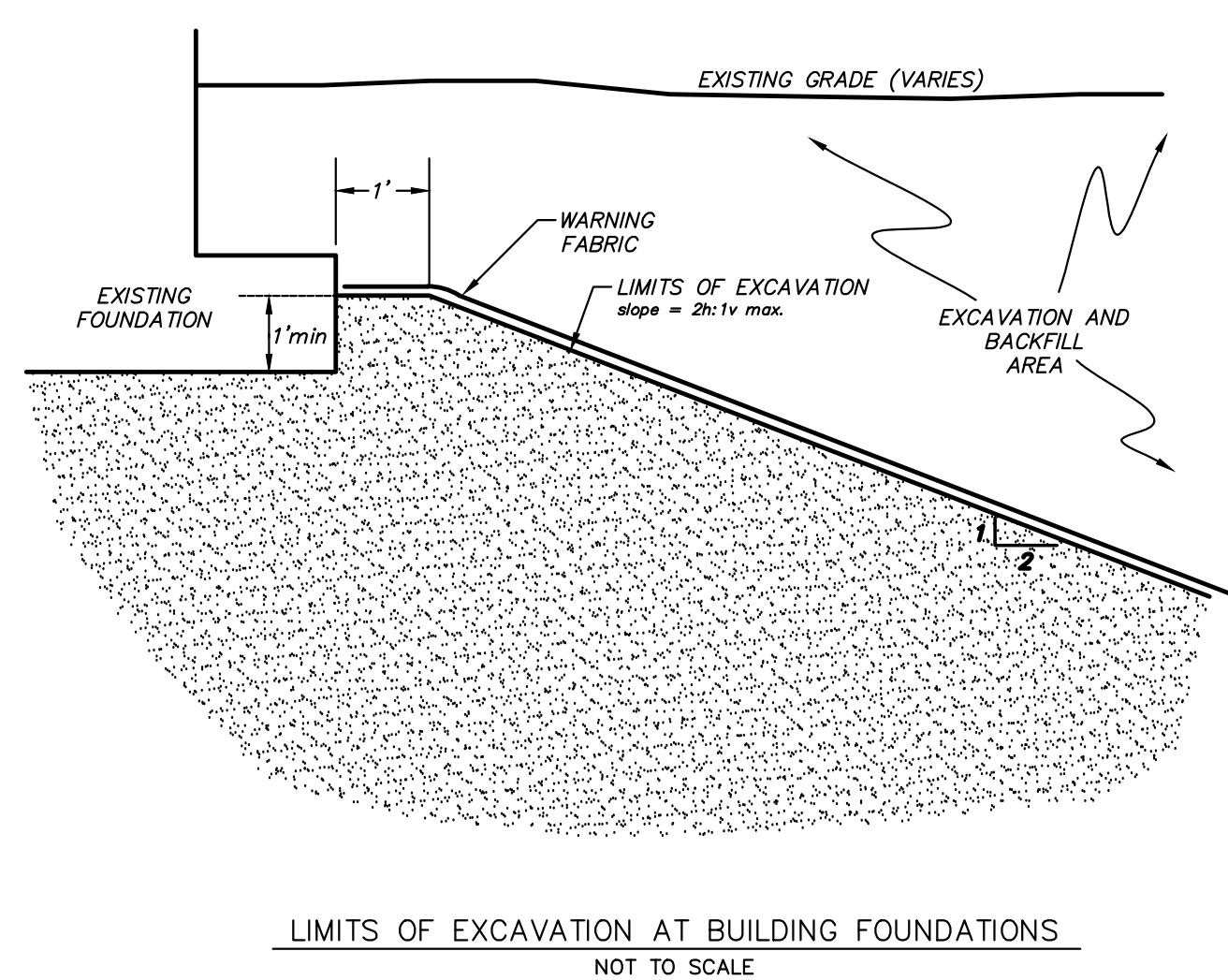
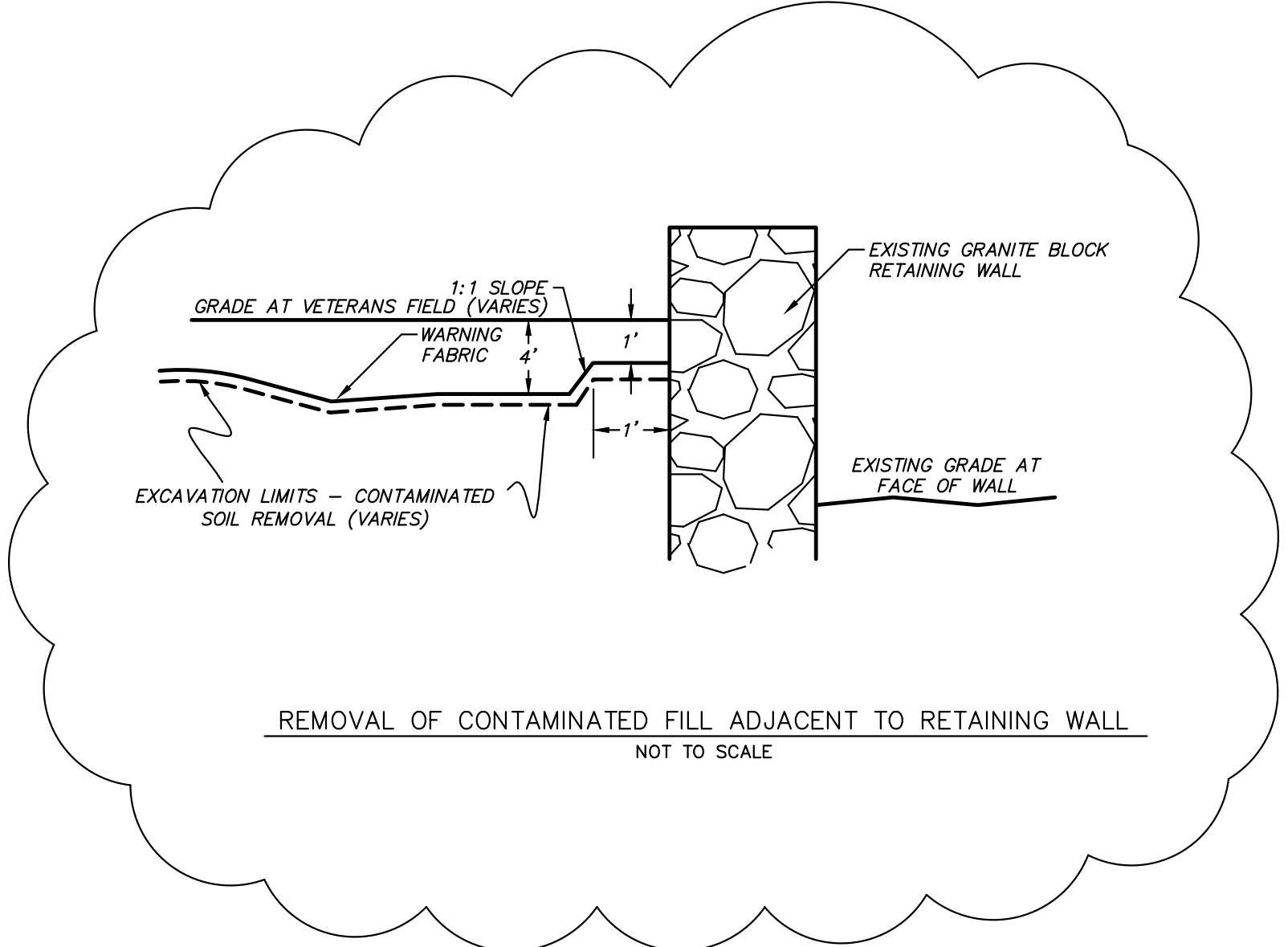
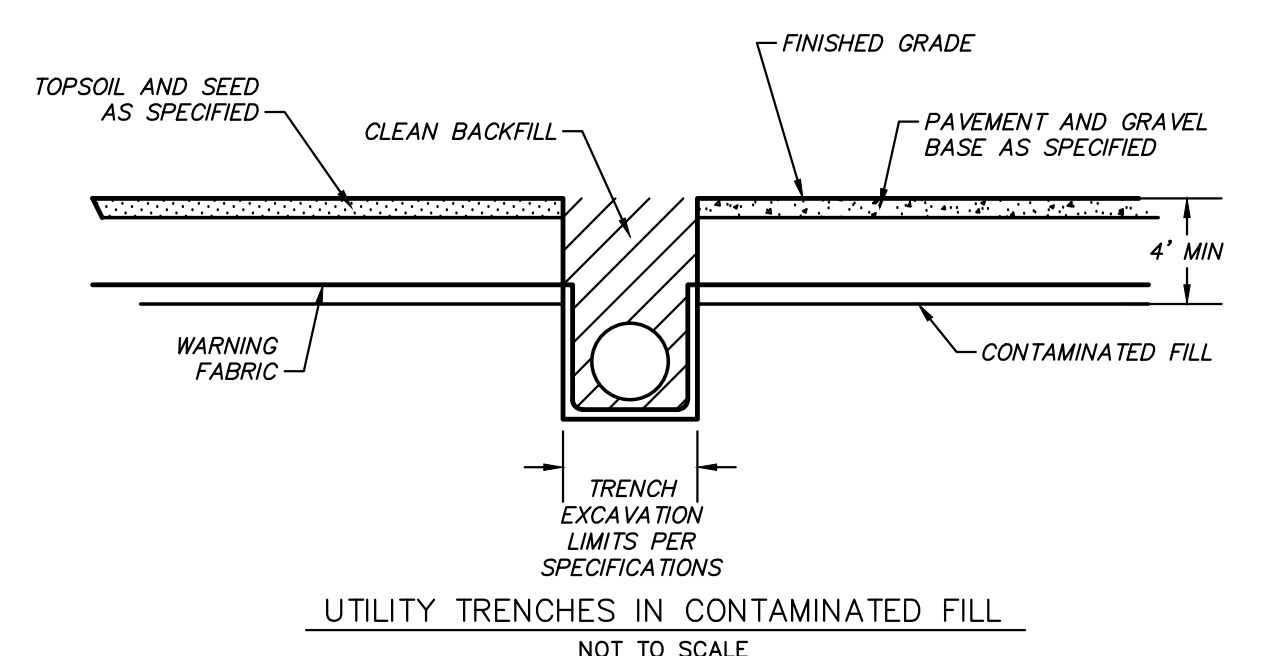
Friar Associates inc.
 Architects
 281 Farmington Avenue
 Farmington, CT 06032

ENGINEER'S SEAL

**SHEET NO.
 ENV-2**



MAP REFERENCE:
 THIS MAP TAKEN FROM A MAP ENTITLED "SITE PLAN"
 PREPARED BY: CECILIA BENTLEY ENGINEERS/SURVEYORS/
 PLANNERS, 100 FOOT HILL ROAD, GROTON, CT 06340
 AND FRIAR ASSOCIATES INC., ARCHITECTS, 281 FARMINGTON AVE.,
 FARMINGTON, CT 06032. DATED: 3/20/03. SCALE: 1"=20'



4:15/04/05 - SKANSKA USA BUILDING, INC. VETERANS FIELD, NEW LONDON, CT
 1/15/04/05 - DELINEATION OF CONTAMINATED FILL AREAS AND DETAILS - SHEET 2 OF 4